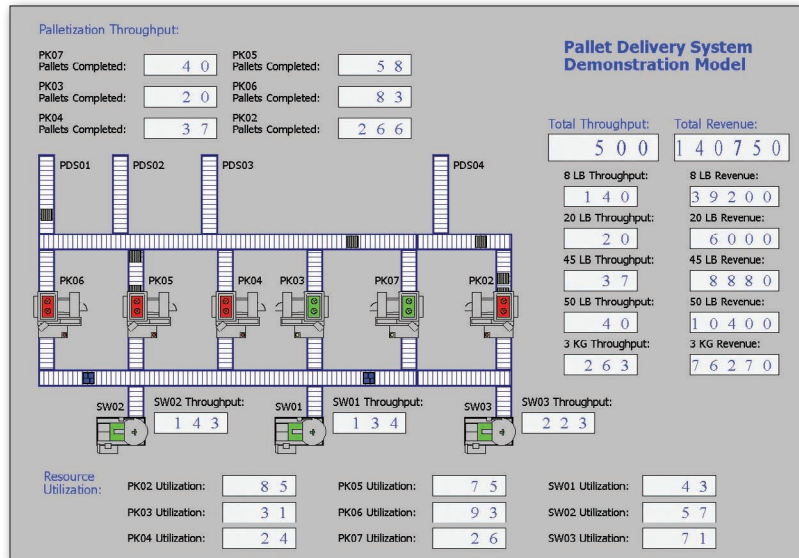


## Advantages

- Easier-to-use flowchart-style, object-oriented modeling environment is the ideal way to bring the power of modeling and simulation to business process improvement
- Designed for use throughout an enterprise for system analysis, optimization and planning
- Excellent flexible and scalable tool for improving business or manufacturing productivity
- Convenient spreadsheet interface to define data such as business variables, resources and schedules
- Helps you predict system performance based on key metrics such as costs, throughput, cycle times and utilizations
- Aids in identifying process bottlenecks
- Useful in planning staff, equipment or material requirements

*An effective Arena® implementation helps organizations test scenarios in realistic conditions before implementation on live operations or customers.*



## Overview

The design and implementation of supplier, manufacturer, customer, and internal organizational processes all have a critical impact on the bottom line – and your ability to stay competitive.

Poorly planned implementations can have disastrous effects, resulting in frustrated customers, lost business, and sinking profits. Arena® simulation software helps protect your business by predicting the impact of new business ideas, rules, and strategies before implementation – offline, without causing disruptions in service.

When the life of your business is at stake, Arena helps in selecting the most beneficial strategies, empowering you with the confidence to “go live,” while avoiding unnecessary expenditures, optimizing investments, and strengthening customer relationships.

Leading organizations have come to rely on Arena to help them improve customer service, capitalize on new business opportunities, and maximize profits.

Arena has helped organizations around the world to:

- Avoid costly mistakes caused by implementing decisions based solely on intuition.
- Design processes to withstand the rigors and uncertainty of system randomness and variability.

- Reveal hidden value and eliminate wasteful bottlenecks in existing implementations and internal processes.
- Maximize customer relationships through exceptional service and delivery.

## Features

Arena Basic Edition Plus is designed for use throughout an enterprise, supporting high-level business process analyses and analyses of processes that span several functional areas. This product is part of the extendible Arena product suite. Particularly powerful as an introductory solution where high-level business processes with animation and/or accounting for material-handling constructs are valuable. Arena offers the unparalleled ease-of-use, flexibility, scalability, and domain experience required for modeling any aspect of a business enterprise. Based upon the concepts of the SIMAN simulation language and the Cinema animation package, Arena uses a flowchart-style modeling methodology, hierarchical modeling, and an extensive graphical library to make Arena the world's leading simulation system. Here is a brief summary of features found in Arena Basic Edition Plus:

### *Creating simulation models*

- Completely scalable, enterprise-wide modeling of any aspect of your business – from simple to highly complex processes
- Intuitive flowchart editor to describe processes
- Optional convenient spreadsheet data entry
- Powerful modeling of expensive and critical constraints and resources such as staff, equipment, material-handling devices and other investments
- Model virtually any material-handling scenario
- Hierarchical aggregation and decomposition to aggregate or expand system components
- Free library of nearly 300 tutorial models (SMARTS) to help you learn

### *Viewing results and making decisions*

- Comprehensive reporting capability through Crystal Reports®, including graphs publishable as HTML, Microsoft® Word, Excel, and more
- Automatic roll-up of statistics through process hierarchy so that you can view costs, times, and other information at the lowest level ... and also see their accumulation in departments, workcenters, or entire facilities
- Detailed activity-based costing, custom statistics, and automatic confidence intervals
- Powerful output analysis tools to compare results from different scenarios

### *Data integration and model customization*

- Graphical editor to describe schedules associated with staff and equipment, as well as arrivals of customers, parts, or other system entities
- Input data analyzer that automatically fits raw data to the best statistical distributions
- Generate custom user and data interfaces with Microsoft Visual Basic® for Applications (VBA) and ActiveX® controls
- Customizable toolbars, context-sensitive menus, and online help

### *Running simulations*

- Automatic flowchart animation for dynamic visualization of process flows
- Compelling system animation for presentations and system validation with a vast collection of customizable icons and dynamic business graphs
- Run-control features, including powerful debugging tools like graphical object browsers, watch windows, breakpoints, and more
- Easier distribution of models to others for viewing and experimenting

## Benefits

### *Natural and consistent modeling methodology*

Many simulation software packages require users to learn and apply different and confusing modeling methodologies, depending upon the complexity of the application. Arena utilizes a familiar, flowchart-style technique for model building – regardless of the detail of complexity of the application being modeled.

### *Extendible*

Arena's standard, object-oriented architecture allows the creation of custom interfaces and applications. As an enterprise matures in its use of simulation, Arena Basic Edition Plus provides a stepping stone to more advanced modeling requirements.

### *Scalable architecture*

Arena offers powerful simulation software in a natural, graphical interface. Designed to suit the needs of the beginner, yet powerful enough to satisfy the demands of the most advanced user, Arena adapts to both the application being modeled and the experience level of the user.

### *Open architecture*

To improve the value of simulation and its use of existing corporate information assets, Arena Basic Edition Plus allows embedded VBA for creating custom interfaces. ActiveX controls can be inserted into a model to enhance its UI or logic. Model logic and data can be transferred from Microsoft Visio® drawings using Arena's Visio stencil.

### Open architecture

To improve the value of simulation and its use of existing corporate information assets, Arena Basic Edition Plus allows embedded VBA for creating custom interfaces. ActiveX controls can be inserted into a model to enhance its UI or logic. Model logic and data can be transferred from Microsoft Visio drawings using Arena's Visio stencil.

### Complete simulation project support

Arena Basic Edition Plus provides a complete set of tools to support simulation project activities from start to finish, including statistical analysis of input data, model-building templates and constructs, animation to visualize how your process works and communicate system behavior to others, powerful debugging tools, output-analysis tools that help you statistically compare simulation run results to make decisions, and run-time capabilities to distribute your models to others for viewing or experimentation.

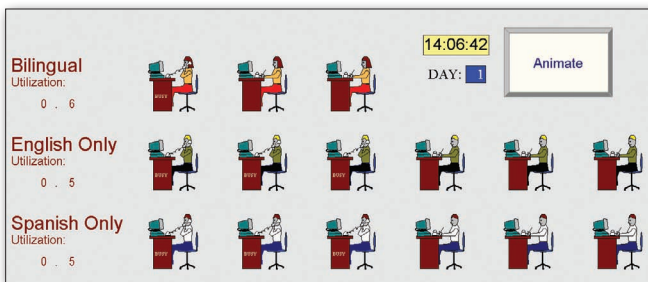
## Add-on Options

### OptQuest for Arena

OptQuest for Arena lets you define various system inputs (controls and constraints) and desired system outputs (objective functions) and guides the selection of sets of input values (scenarios). OptQuest then thoroughly evaluates each scenario and dynamically selects and evaluates new scenarios in search of the optimum. The separation of the model that represents the system and the procedure that solves optimization problems provide maximum efficiency in identifying new scenarios. The combination of efficiency in search methods and the power of Arena provides the best solution in the least time.

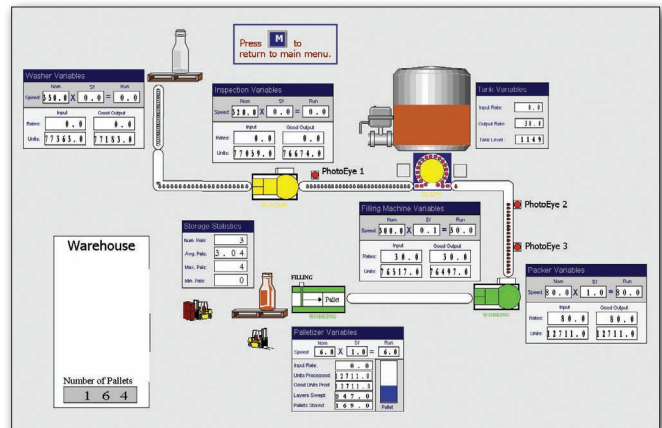
### Arena Contact Center Template

The Arena Contact Center Template helps you develop and analyze the strategic impact of virtual call centers, multi-site routing, skill-based routing, and staffing models. Analysis can be performed prior to implementation of systems, call routing, and as an aid in determining staffing requirements.



### Arena Packaging Template

The Arena Packaging Template is effective when analyzing high-speed manufacturing packaging lines and conveyor systems that are fundamental to the manufacturing processes of industries such as food and beverage, pharmaceutical, tobacco, chemical, electronics, and health and beauty. It is helpful in predicting and validating overall line performance, operational and strategic line design issues (such as investing in new machines, designing sensor logic, and conveyor operations), and troubleshooting existing packaging lines.



### Arena 3DPlayer

Arena® 3DPlayer™ is a powerful tool that provides the ability to create life-like 3D imagery and view 3D animations of your Arena models. Arena 3DPlayer helps you create a 3D animation layout and then works with Arena's output to produce a smooth, accurate 3D animation.



## Recommended Requirements

Minimum requirements/recommendations for running the Arena software include:

- Arena® simulation software, version 13.00.00.
- Microsoft® Windows Vista® (SP1 or later, 32-bit version only), Windows Server® 2003 Standard Edition (SP2 or later, 32-bit version only), Windows Server 2003 Standard Edition R2 (SP2 or later, 32-bit version only), Windows XP Professional (SP2 or later), Windows XP Home (SP2 or later).
- Microsoft Internet Explorer®, version 6.0 or later. Version 7.0 is recommended for Windows Vista operating systems.
- Adobe® Acrobat Reader 8.1.0 or later, to view documentation.
- Hard drive with 250MB free disk space (or more, depending on the options installed). 1GB RAM (or more).
- Intel® Pentium® processor, 2GHz or faster. The Arena software can be run on single processor, dual processor, and dual-core processor computers; however, you can only run one instance of Arena at a time.

Note: The faster the PC, the better the system will run. The running and animation of Arena and some large simulation models can be calculation-intensive, so a faster processor with additional memory may result in improved performance. In addition, a larger monitor and a screen resolution of at least 1024 x 768 are recommended for improved animation viewing. You must have Administrator privileges to install the software.

## More Information

To see an online demonstration of Arena, please consult our Web site at [www.ArenaSimulation.com](http://www.ArenaSimulation.com) and look at our Demo on Demand and Web seminar offerings. While there, you can also download product brochures, white papers, and application case studies.

For more information and pricing of Arena software, please contact the U.S. Rockwell Automation office at (1+) 724-741-4000 or contact your local Arena reseller. A listing of worldwide Arena resellers may be found at [www.ArenaSimulation.com](http://www.ArenaSimulation.com).

[www.ArenaSimulation.com](http://www.ArenaSimulation.com)

Arena and Arena 3DPlayer are trademarks or registered trademarks of Rockwell Automation, Inc. All other trademarks and registered trademarks are the property of their respective companies.

[www.rockwellautomation.com](http://www.rockwellautomation.com)

---

### Power, Control and Information Solutions Headquarters

Americas: Rockwell Automation, 1201 South Second Street, Milwaukee, WI 53204 USA, Tel: (1) 414.382.2000, Fax: (1) 414.382.4444

Europe/Middle East/Africa: Rockwell Automation, Vorstlaan/Boulevard du Souverain 36, 1170 Brussels, Belgium, Tel: (32) 2 663 0600, Fax: (32) 2 663 0640

Asia Pacific: Rockwell Automation, Level 14, Core F, Cyberport 3, 100 Cyberport Road, Hong Kong, Tel: (852) 2887 4788, Fax: (852) 2508 1846